



STUDY ON SECONDARY BREAKUP PROPERTIES OF SPRAY FOR MICRO GAS TURBINE ENGINE

PIPATPONG WATANAWANYOO^{1,c}, HIROFUMI MOCHIDA¹, TERUYUKI FURUKAWA¹,
MASANORI NAKAMURA², HIROYUKI HIRAHARA² SUMPUN CHAITEP³

¹Graduate School of Science and Engineering, Saitama University, 255 Shimo-Okubo, Japan

²Department of Mechanical Engineering, Saitama University, 255 Shimo-Okubo, Japan

³Department of Mechanical Engineering, Chiang Mai University, 239 Suthep, Thailand

^cCorresponding author: Tel.: +81488583448; Fax: +81488583711; Email: s09dh052@mail.saitama-u.ac.jp

KEYWORDS:

Main subjects: liquid droplets breakup

Fluid: high speed flows

Visualization method(s): shadowgraph

Other keywords: air assisted atomizer, sauter mean diameter(smd), spray, secondary breakup, micro gas turbine

ABSTRACT: This paper reports secondary breakup properties and droplet size measurement of spray through nozzle of air assisted atomizer. The atomizing air pressure supply was regulated of 68.9 to 689 kPa (gauge), correspondingly consumed 1.4×10^{-3} to 3.3×10^{-3} kg/s of water. The air mass flow rate was varied between 0.2×10^{-3} kg/s to 1.2×10^{-3} kg/s, in order to establish an empirical relation between the air mass flow rate and the air supply pressure. The secondary breakup properties of spray were studied by taking the flow images at different air supply pressures by using a shadowgraph method. By traversing the measurement section, the spray images were acquired at 5 axial locations of 50, 100, 150, 200 and 250 mm downstream from the atomizer. The accuracy of the measurement of droplet size by the present method was verified by using silica particle. The exact diameters of silica particles were measured by a microscope and were 6, 56.5, 78 μm . The investigated air assisted atomizer provided droplets with Sauter Mean Diameter (SMD) was distributed in the range of about 23-98 μm .

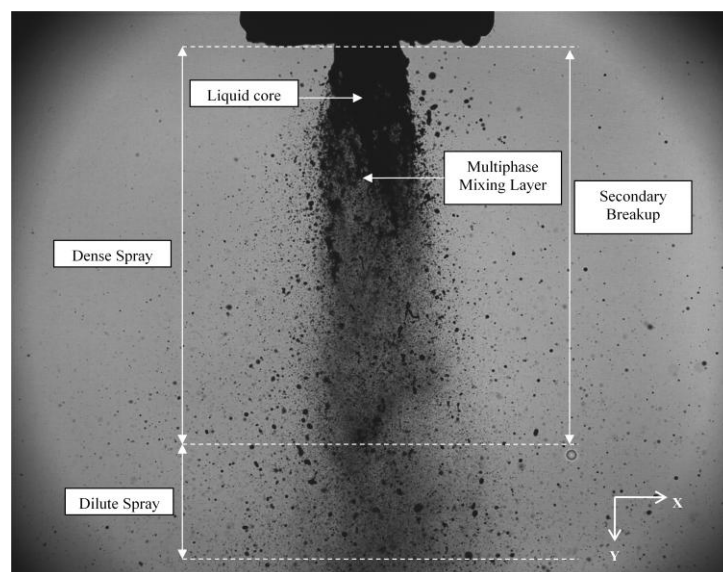


Fig. 1 Atomization regions of the spray from the air assisted atomizer using air assisted pressure 413 kPa

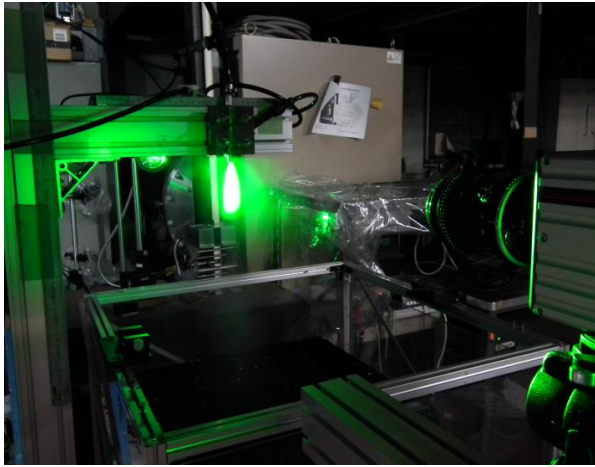


Fig. 2 Shadowgraph technique

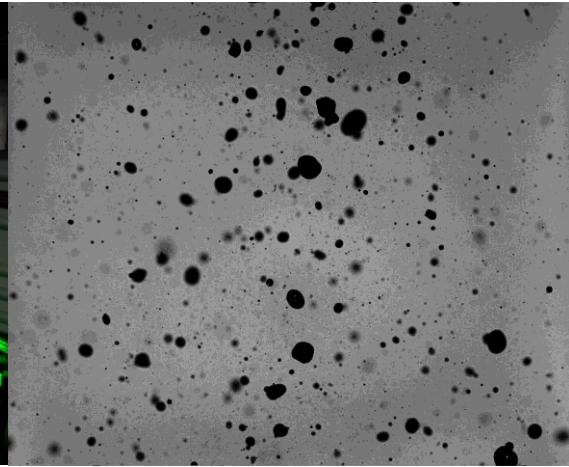


Fig. 3 Sauter Mean Diameter (SMD) about 23-98 μm .



Fig. 3 Micro gas turbine

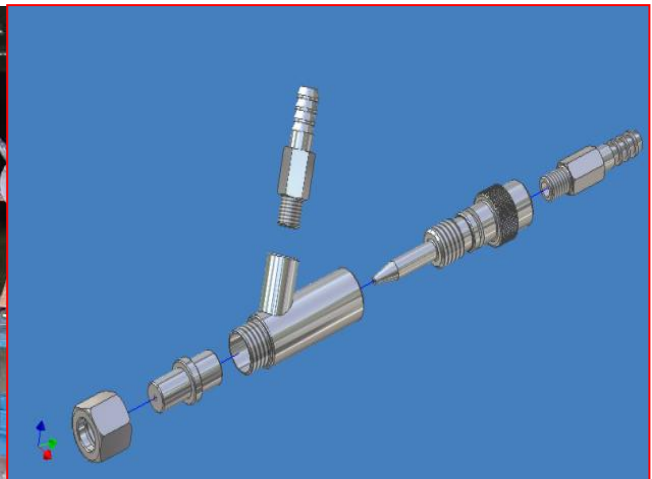


Fig. 4 Air assisted atomizer

References

1. Lefebvre, A. Henry, "Atomization and spray", Hemisphere Publishing Corporation, Chapter 4, (1989), pp. 105-106.
2. Watanawanyoo P., H. Mochida, H. Hirahara and C. Sumpun, "Flow characteristics of fluid droplet obtained from air assisted atomizer", Proceedings of ASME-JSME-KSME Joint Fluids Engineering Conference, Paper No. AJK 2011-31013 (2011)
3. H. Hirahara and M. Kawahashi, "Experimental investigation of viscous effects upon a breakup of droplets in high-speed air flow", Experiments in Fluids (1992), Vol. 13, pp. 423-428.
4. Bundhurat D., Chaitep S., Checkel D., Watanawanyoo P. and H. Hirahara, "Numerical and experimental investigation on laminar hot-gas flow with injected water spray", Australian Journal of Basic and Applied Sciences (2010), Vol. 4(6), pp. 1240-1250.